

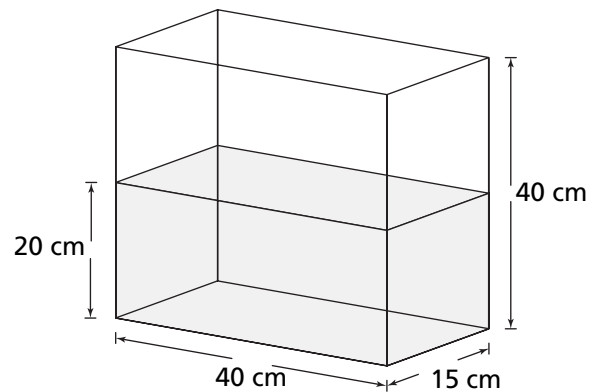
الرياضيات

الأسئلة المعلنه للعام الدراسي 2010

6

1

What is the volume of water in the tank?



- 12,000 cm³
- 12,000 cm²
- 24,000 cm³
- 24,000 cm²

Key: 1

Strand: Geometry and measures

Standard: 09.4 Solve problems involving: • the area of rectangles, triangles and parallelogr...

DOK: 01 Understanding

2

All the shoes in a shoe store are on sale for half price. One pair of shoes usually costs QR 45.50 and another pair usually costs QR 87.50.

What is the total cost of both pairs of shoes on sale?

- QR 22.75
- QR 43.75
- QR 66.50
- QR 132.75

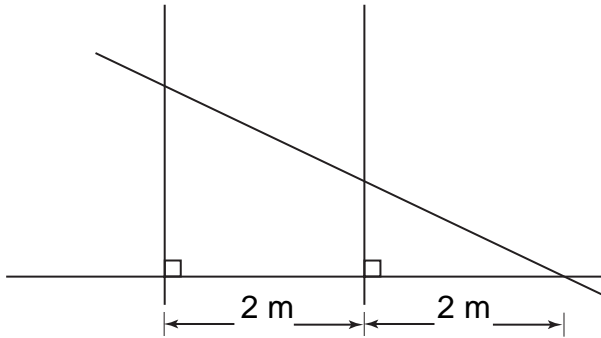
Key: 3

Strand: Number and algebra

Standard: 02.11 Solve problems with up to three steps using addition, subtraction, multiplica...

DOK: 02 Application

3



If the area of the smaller triangle is 1 m^2 , what is the area of the larger triangle?

- 2 m^2
- 3 m^2
- 4 m^2
- 5 m^2

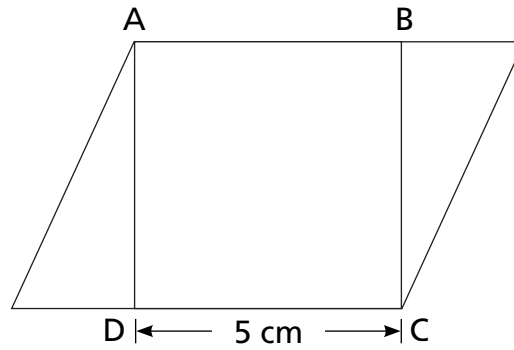
Key: 3

Strand: Geometry and measures

Standard: 09.4 Solve problems involving: • the area of rectangles, triangles and parallelogr...

DOK: 02 Application

The area of the parallelogram below is 35 cm^2 . ABCD is a square.



What is the total area of the two triangles?

Show your work here.

Answer: _____

Work Shown:	
$35 - (5 \times 5) = 35 - 25 = 10$	
Answer:	
10 cm^2	
Correct work shown AND correct answer	2 pt
Correct work shown OR correct answer	1 pt
Response is incomplete or irrelevant	0 pts
No response	Blank

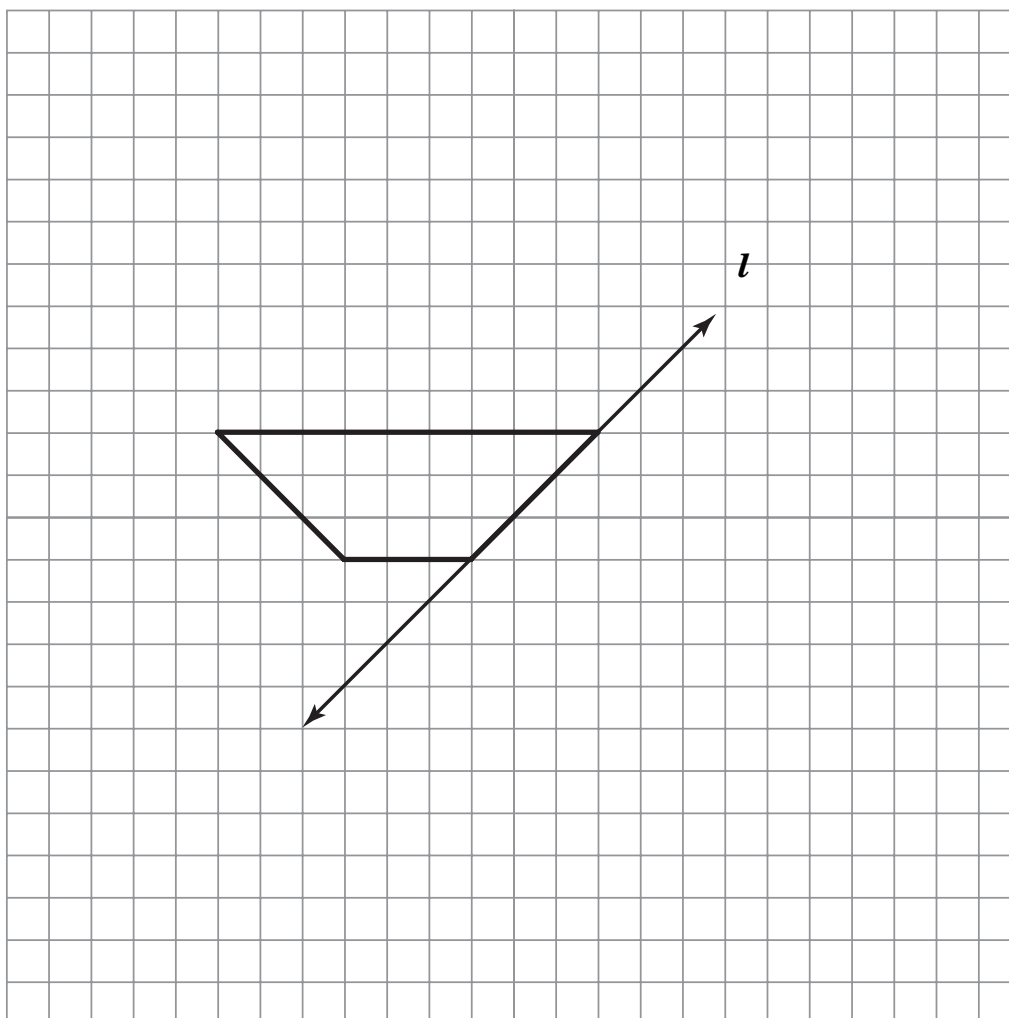
Points: 2

Strand: Geometry and measures

Standard: 09.1 Derive and use formulae for the area of a triangle and the area of a parallel...

DOK: 02 Application

Draw the trapezoid below reflected in line l .



Answer:		
shape correctly drawn		1 pt
Response is incomplete or irrelevant		0 pts
No response		Blank

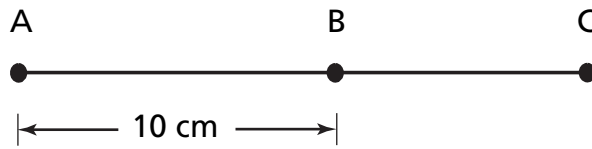
Points: 1

Strand: Geometry and measures

Standard: 08.1 Draw the reflection of a 2-D shape in a given mirror line.

DOK: 02 Application

The ratio of the distance AB to the distance BC is 5:4.



What is the distance AC?

Show your work here.

Answer: _____

<p>Work Shown:</p> $5:4 = 10: x = 10(4/5);$ $x = 10(4/5);$ $x = 8; 10 + 8 = 18$ <p>Answer:</p> <p>18</p>	
Correct answer AND correct work shown	2 pts
Correct answer OR correct work shown	1 pt
Response is incomplete or irrelevant	0 pts
No response	Blank

Points: 2

Strand: Number and algebra

Standard: 05.1 Use simple ratios to show the relative sizes of two quantities.

DOK: 02 Application